

INSTALLATION SPECIFICATION SHEET

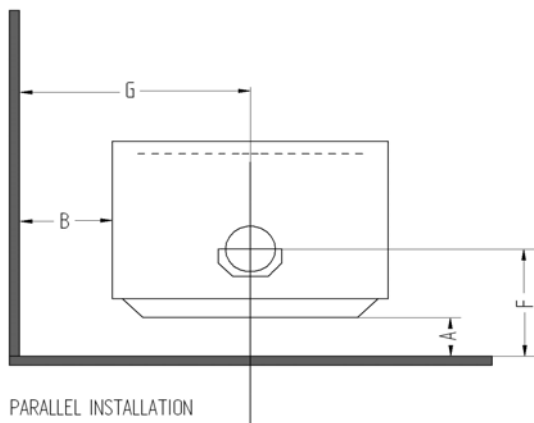
These instructions must be used in conjunction with the 'General Installation Instructions' for Masport wood fires.

CLEARANCE REQUIREMENTS

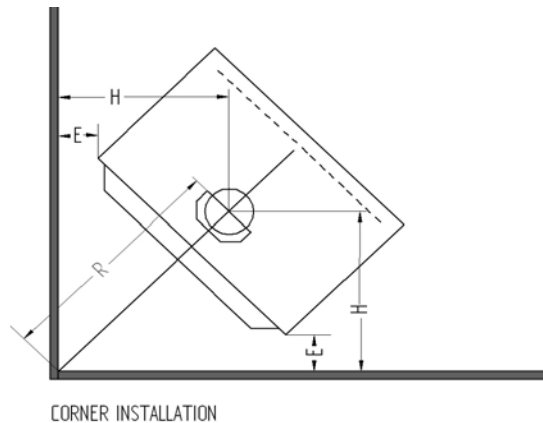
This fire has been tested and complies to the Australian/New Zealand Standard AS/NZS 2918:2001 and all installations must be in accordance with the minimum clearances to combustibles indicated in these instructions.

The minimum clearances to combustables may be reduced if the combustable walls are shielded with an approved non-combustable material. Details of suitable materials and appropriate clearance reduction factors are present in Section 3 of AS/NZS 2918:2001.

POSITIONING YOUR FREE-STANDING WOODFIRE



PARALLEL INSTALLATION



CORNER INSTALLATION

NEW ZEALAND

MINIMUM DISTANCES TO HEAT SENSITIVE WALLS (mm)

MODEL	FLUE HEAT SHIELD	A	B	E	F	G	H	R§
F3300C (Dry)	LOGAIRE DOUBLE SKIN S/S POLISHED	100	300	100	318	631	440	622
F3300C (Wet)								

AUSTRALIA

MINIMUM DISTANCES TO HEAT SENSITIVE WALLS (mm)

MODEL	FLUE HEAT SHIELD	A	B	E	F	G	H	R§
F3300C HW								
	FLOMET UNIVERSAL FLUE SYSTEM	100	300	100	318	631	440	622
	FLOMET UNIVERSAL W LOGAIRE DOUBLE FLUE SHIELD	100	300	100	318	631	440	622
	AIR-GROUP SPECIAL INSULATED FLUE KIT *	100	300	100	318	631	440	622

§ Valid only when the room walls are at 90° to each other.

‡ Note: Clearances are for fire hazard only. For durability of finishes or surfaces you should contact the relevant manufacturer for their specification. Masport accepts no responsibility for the deterioration of surfaces or finishes.

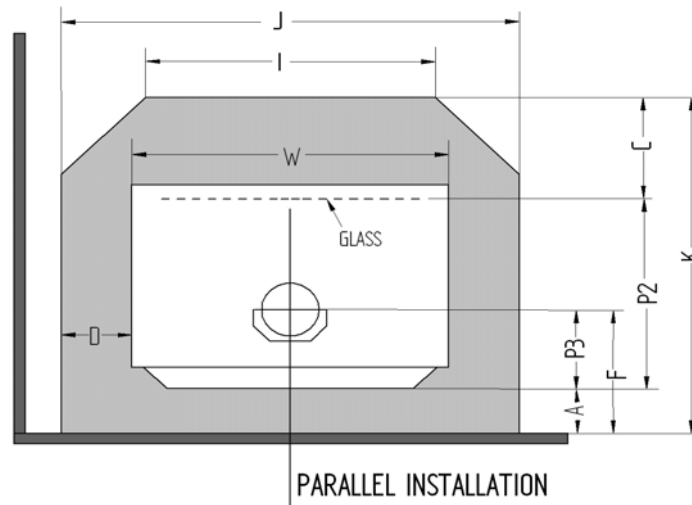
* Air-Group Special Insulated Flue Kit is same as AHD Special Insulated Flue Kit

PRT. NO: 594779

DATE: 20.05.2012

FLOOR PROTECTOR (Hearth) REQUIREMENTS PARALLEL INSTALLATION

MINIMUM FLOOR PROTECTOR DIMENSIONS IN mm



DIMENSIONS IN THE TABLE ARE VALID ONLY WHEN THE FIRE IS EXACTLEY AT ITS MINIMUM ALLOWABLE WALL CLEARANCE.

NEW ZEALAND

MODEL	Flue Shield	Floor Protector height	A#	C#	D	F	I	J	K#	P2	P3	W	Floor Protector Type Ø
F3300C (Dry) F3300C (Wet)	LDS	ANY	100	300	136	318	633	933	892	492	218	662	AFP

LDS = LOGAIRE DOUBLE SKIN S/S POLISHED 1200mm HIGH

AFP = ASH FLOOR PROTECTOR

AUSTRALIA - ALL WITH FLUE HEATSHIELD

MODEL	Flue Shield	Floor Protector height	A#	C#	D	F	I	J	K#	P2	P3	W	Floor Protector Type Ø
F3300C HW													
	FUF	ANY	100	300	136	318	633	933	892	492	218	662	AFP
	FUL	ANY	100	300	136	318	633	933	892	492	218	662	AFP
	AGA	ANY	100	300	136	318	633	933	892	492	218	662	AFP

FUF = FLOWMET UNIVERSAL FLUE SYSTEM

FUL= FLOWMET UNIVERSAL FLUE SYSTEM WITH LOGAIRE DOUBLE FLUE SHIELD

AGA = AIR GROUP / AHD SPECIAL INSULATED FLUE KIT WITH 900mm S/S REFLECTOR SHIELD

AFP = ASH FLOOR PROTECTOR

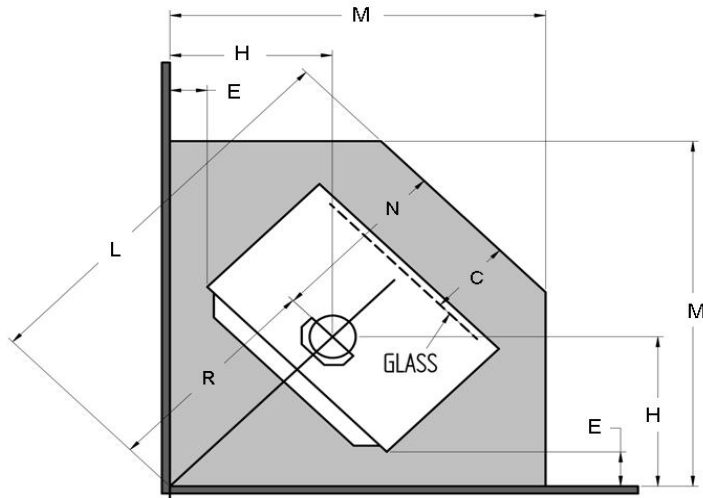
Ø for minimum constructional requirements see general installation instructions.

Valid only when the fire is exactly at its minimum allowable wall clearance.

NOTE: Where a fan is being fitted, you may prefer to increase the 'A' dimension to 100 mm to provide easier access for servicing. If so, the amount you add to 'A' to bring it to 100 mm must also be added to the 'C' and 'S' dimensions.

FLOOR PROTECTORS (Hearth) REQUIREMENTS CORNER INSTALLATION

MINIMUM FLOOR PROTECTOR DIMENSIONS IN mm



DIMENSIONS IN THE TABLE ARE VALID ONLY WHEN THE FIRE IS EXACTLEY AT ITS MINIMUM ALLOWABLE WALL CLEARANCE.

NEW ZEALAND

MODEL	Flue Shield	Floor Protector Distance above Floor	C	E	H#	L#	M#	N	R#	FLOOR PROTECTOR TYPE
F3300C (Dry) F3300C (Wet)	LDS	ANY	300	100	440	1196	1069	574	622	AFP

LDS = LOGAIRE DOUBLE SKIN S/S POLISHED 1200mm HIGH

AFP = ASH FLOOR PROTECTOR

AUSTRALIA

MODEL	Flue Shield	Floor Protector Distance above Floor	C	E	H#	L#	M#	N	R#	FLOOR PROTECTOR TYPE
F3300C HW										
	FUF	ANY	300	100	440	1196	1069	574	622	AFP
	AHD	ANY	300	100	440	1196	1069	574	622	AFP

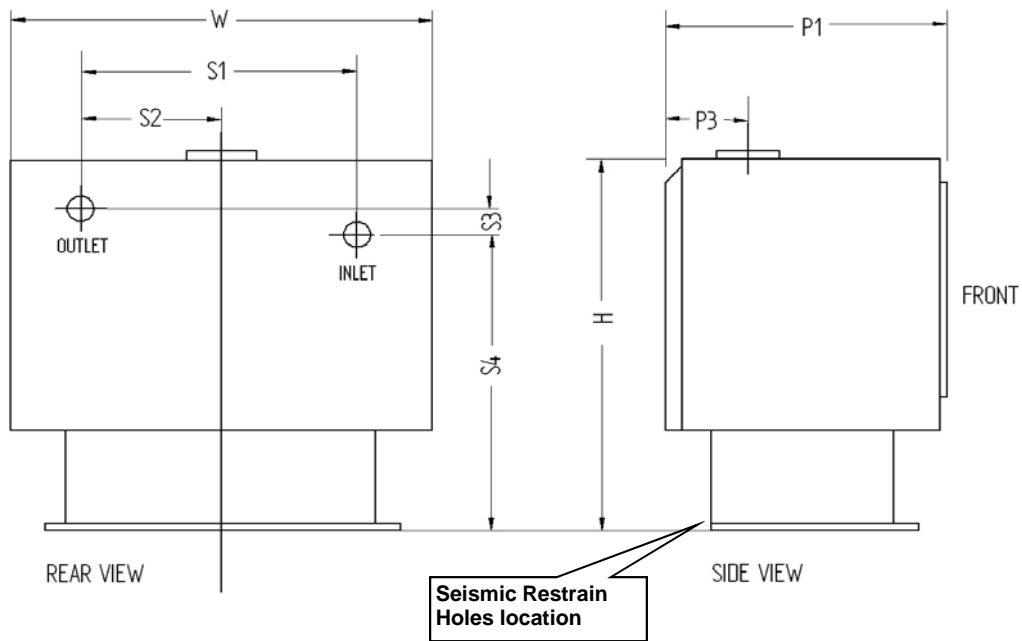
FUF = FLOWMET UNIVERSAL FLUE SYSTEM

FUL= FLOWMET UNIVERSAL FLUE SYSTEM WITH LOGAIRE DOUBLE FLUE SHIELD

AGA = AIR GROUP / AHD SPECIAL INSULATED FLUE KIT WITH 900mm S/S REFLECTOR SHIELD

AFP = ASH FLOOR PROTECTOR

FREE STANDING FIRE DIMENSIONS

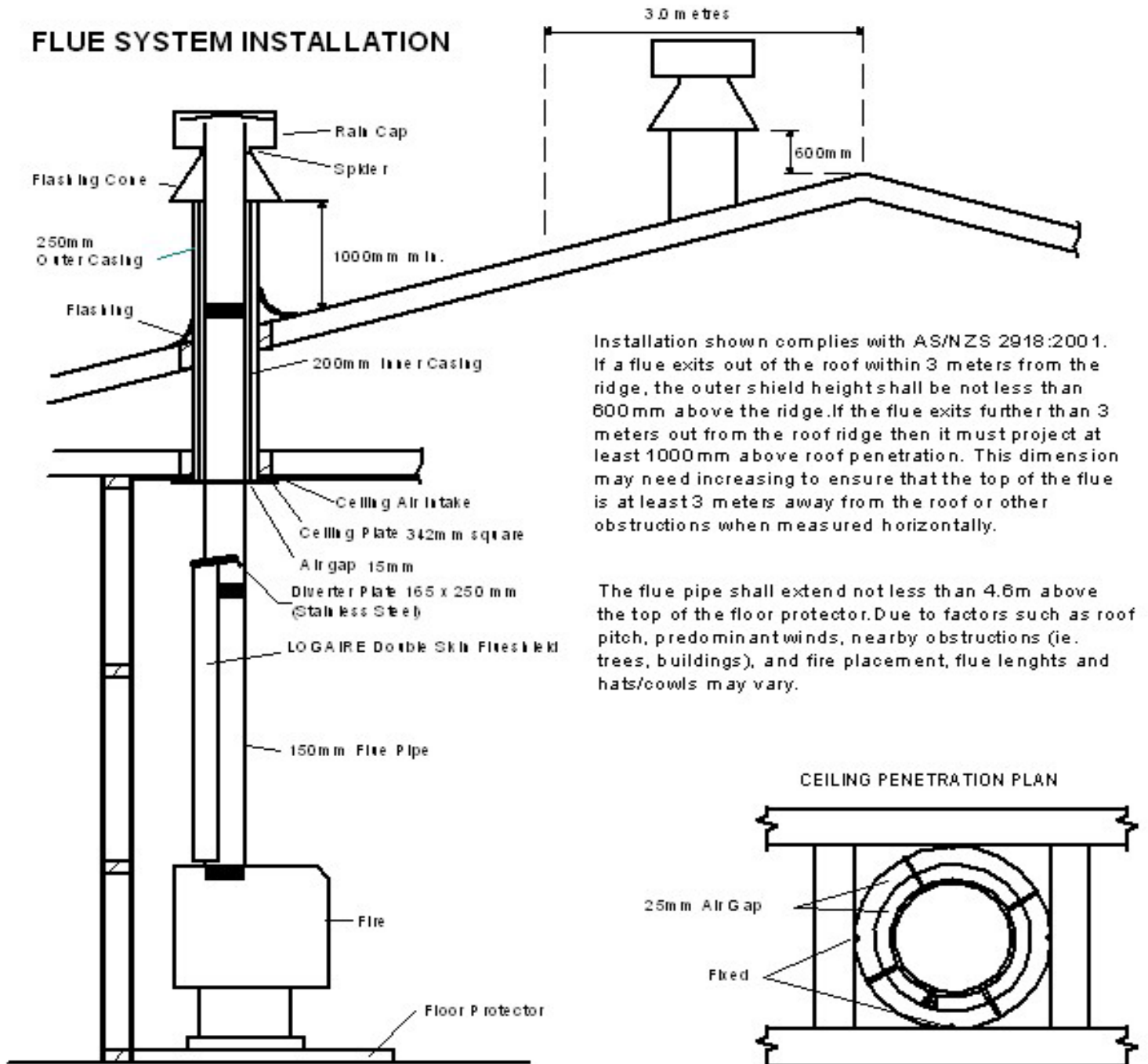


MODEL	P1	P3	H	W	S1	S2	S3	S4
F3300C(Dry & Wet) F3300C HW	566	218	755	662	340	170	20	565

Seismic Restrain - In New Zealand and some part of Australia, it is required that the wood fire and floor protector are secured to prevent shifting in the event of an earthquake. This is best done by fastening the wood fire right through the protector to the floor, using two screws not less than 12 gauge or the equivalent size of coach bolts or toggle fasteners.

THIS FLUE INSTALLATION DIAGRAM BELOW IS VALID FOR NZ INSTALLATIONS ONLY. FOR INSTALLATIONS IN AUSTRALIA, PLEASE REFER TO SPECIFIC FLUE INSTALLATION SPECIFICATIONS.

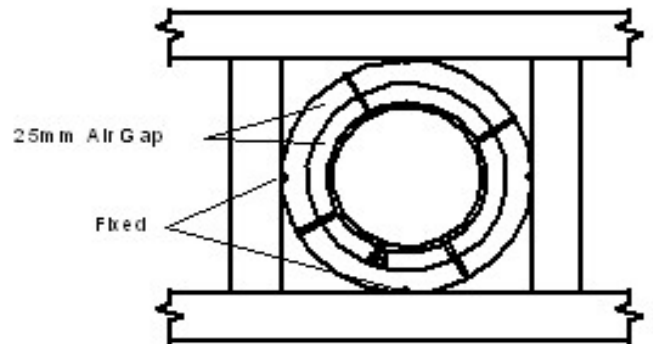
FLUE SYSTEM INSTALLATION



Installation shown complies with AS/NZS 2918:2001. If a flue exits out of the roof within 3 meters from the ridge, the outer shield height shall be not less than 600mm above the ridge. If the flue exits further than 3 meters out from the roof ridge then it must project at least 1000mm above roof penetration. This dimension may need increasing to ensure that the top of the flue is at least 3 meters away from the roof or other obstructions when measured horizontally.

The flue pipe shall extend not less than 4.6m above the top of the floor protector. Due to factors such as roof pitch, predominant winds, nearby obstructions (ie. trees, buildings), and fire placement, flue lengths and hats/cowls may vary.

CEILING PENETRATION PLAN



NOTE: THE LOGAIRE DOUBLE SKIN FLUE SHIELD IS SUPPLIED WITH A TOP AIR DISPERSION CAP. THIS NEEDS TO BE FITTED AS PER INSTRUCTIONS. IN ADDITION YOU HAVE TO FIT THE 165 X 250 mm DIVERTER PLATE SUPPLIED WITH THE FIRE. THIS FITS ON TOP OF THE SMALLER DISPERSION CAP.

Above plan is valid only for flue manufactured by Sheetmetal Fabricated Products Ltd, Auckland, New Zealand. For other products, use specific flue installation specifications supplied by the manufacturer.

OPTIONAL ENERGY SAVING INSTALLATION:

IN PLACE OF THE 342mm SQUARE CEILING PLATE YOU CAN INSTALL AN SFP ECO KIT CEILING PLATE. REFER TO THE INSTRUCTIONS SUPPLIED WITH THE KIT.